



**PROJECT** \_\_\_\_\_

**TYPE** \_\_\_\_\_

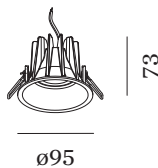
**NOTES** \_\_\_\_\_

**QUANTITY** \_\_\_\_\_

**DATE** \_\_\_\_\_



Round ceiling recessed downlight made from die-cast aluminium; surface Black Matt; powder coated; matt texture; RAL 9005; installation without tools using wire springs; suitable for ceiling thickness of 4-27 mm; recessed depth 90 mm; beam angle 33°; with COB (Chip on Board) technology for maximum efficiency; light colour 3000 K; binning initial MacAdam  $\leq 2$  SDCM; CRI  $\geq 90$ ; degree of protection IP65; Class 3; IC rated; UGR  $\leq 13$ ; VDU compatible workplace luminaire according to DIN EN 12464-1; luminance above 65°  $\leq 1500$  cd/m<sup>2</sup>; driver not included; light source replaceable by Wever & Ducré or by a professional with explicit authorization;



**GENERAL**

Ceiling \_\_\_\_\_  
 Recessed \_\_\_\_\_  
 Black Matt \_\_\_\_\_  
 RAL 9005 <sup>a</sup> \_\_\_\_\_  
 IP65 \_\_\_\_\_  
 IC rated \_\_\_\_\_  
 Exterior \_\_\_\_\_  
 CIE flux code: 98 100 100 100 \_\_\_\_\_  
 100 \_\_\_\_\_

**LED**

3000 K \_\_\_\_\_  
 CRI  $\geq 90$  \_\_\_\_\_  
 L80 / 55000h \_\_\_\_\_  
 initial MacAdam  $\leq 2$  SDCM \_\_\_\_\_

**OPTICAL**

Standard \_\_\_\_\_  
 beam angle 33° \_\_\_\_\_

**ELECTRICAL**

excl. driver \_\_\_\_\_  
 17 V \_\_\_\_\_  
 inset 8.8 5.9 W \_\_\_\_\_  
 Class 3 \_\_\_\_\_

**PHYSICAL**

diameter 95 mm \_\_\_\_\_  
 height 73 mm \_\_\_\_\_  
 0.24 kg \_\_\_\_\_  
 wire springs \_\_\_\_\_

**CUTOUT**

diameter 86-89 mm \_\_\_\_\_  
 min. ceiling thickness 4 mm \_\_\_\_\_  
 max. ceiling thickness 27 mm \_\_\_\_\_  
 recessed depth 90 mm \_\_\_\_\_

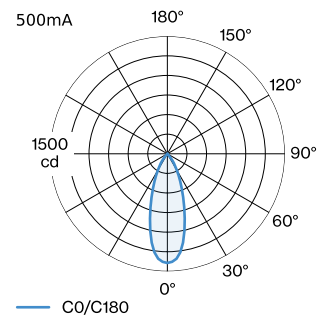
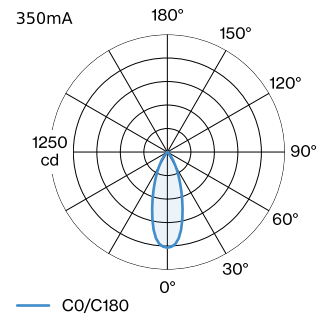
<sup>a</sup> Colour may deviate slightly due to production conditions.

**MEASURED DRIVERS**

500mA \_\_\_\_\_  
 640 lm \_\_\_\_\_  
 11.7 W \_\_\_\_\_

350mA \_\_\_\_\_  
 470 lm \_\_\_\_\_  
 7.9 W \_\_\_\_\_

**LIGHT DISTRIBUTION**





**CONE DIAGRAM**

standard 36° 350mA			standard 36° 500mA		
h (m)	E0° (lx)	ø (m)	h (m)	E0° (lx)	ø (m)
1	1020	0.65	1	1390	0.65
2	250	1.29	2	350	1.29
3	110	1.94	3	150	1.94
4	60	2.58	4	90	2.58
5	40	3.23	5	60	3.23

**Maintenance Factor**

Operating Time [h]	10.000	20.000	30.000	40.000	50.000
LLMF	0.96	0.92	0.88	0.85	0.81
LSF	1	1	1	1	1

MF	LMF × RSMF × LLMF × LSF	RSMF <sup>a</sup>	Room Surface Maintenance Factor
MF	Maintenance Factor	LLMF	Lamp Lumens Maintenance Factor
LMF <sup>a</sup>	Luminaire Maintenance Factor	LSF	Lamp Survival Factor

<sup>a</sup>According to "CIE 97, Maintenance of indoor electric lighting systems", 2005, ISBN 3-900-734-34-8. The values must be determined by the planner.

**ELECTRICAL ACCESSORIES**

**Driver**

Type	Voltage	L·W·H (MM)	Item number
17W   350mA   5-49V   IP68	5-49V	122-54-26	90213602
10W   500mA   11-20V	11-20V	100-43-23	90214405
10W   500mA   13-20V	13-20V	65-39-20	90214406
24W   500mA   5-49V   IP68	5-49V	122-54-26	90214702
10W   500mA   3-20V   phase-cut dim	3-20V	102-49-29	90224402
10W   500mA   12-21V	12-21V	115-41-25	90224403

[184161B5] The technical data represent rated values for an ambient temperature of 25°C. The data values for the luminous flux are initially subject to a tolerance of +/- 10%, those for the electrical connected load are initially subject to a tolerance of +/- 10%, and those for the colour temperature are initially subject to a tolerance of +/- 150 K. No liability is assumed for typographical or printing errors. The general terms and conditions of Wever & Ducré BV apply.