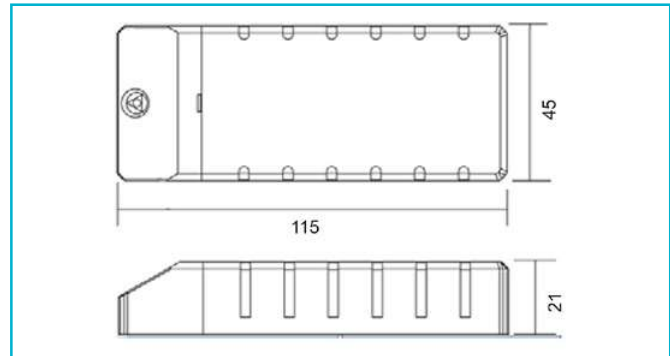


**Power supply unit (CC, DC)  
BASIC, CC, CC70018/18 W**



**Special features**

- Flicker-free
- Secured against short circuits and overloads
- Overheating protection

<b>Housing Material</b>	Plastic
<b>Housing Color</b>	Black
<b>Functions</b>	Short-circuit proof, Lamp control gear 110, Furniture installation, Protective extra-low voltage, Overloading protection, Overtemperature protection
<b>Operating Mode</b>	Constant current
<b>Protection Class</b>	Protection class II/protective insulation
<b>Rated Input Voltage Frequency</b>	220-240 V/AC 50 / 60 Hz
<b>Power</b>	1.4-18 W
<b>Output Voltage</b>	2-26 V/DC
<b>Output Current</b>	700 mA
<b>Power Factor</b>	0.83
<b>Max. units per MCB B10</b>	17
<b>Max. units per MCB B16</b>	28
<b>Max. units per MCB C10</b>	37
<b>Max. units per MCB C16</b>	59
<b>Inrush Current max.</b>	10 A / 300 $\mu$ s
<b>Capacitive Load</b>	147 nF
<b>Reference Point Tc</b>	80 °C
<b>Working Temperature</b>	-20 to 50 °C
<b>IP Protection Class</b>	IP 20
<b>Length</b>	115 mm
<b>Width</b>	45 mm
<b>Height</b>	21 mm
<b>Product weight</b>	85 g

