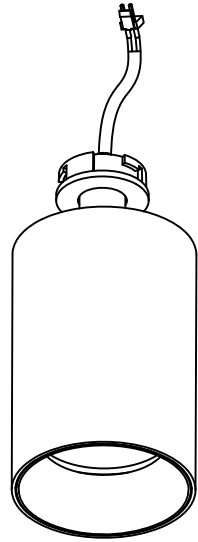
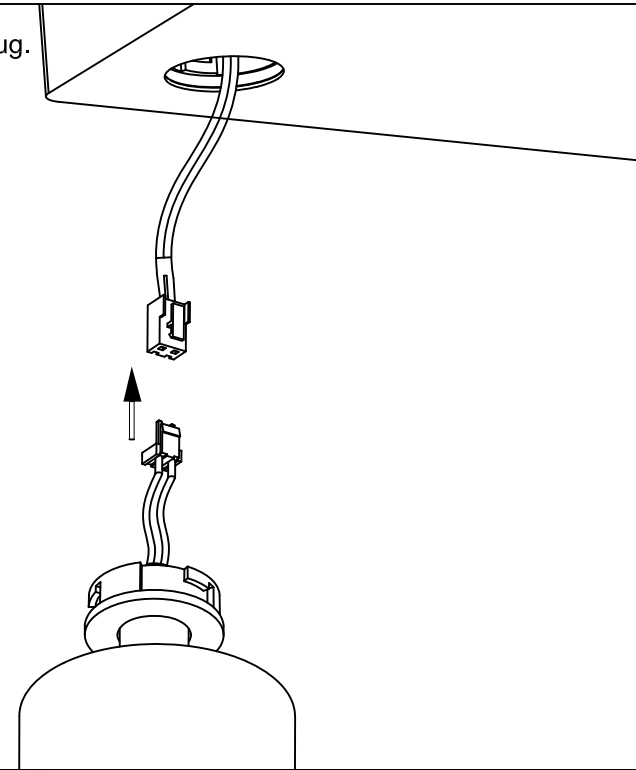


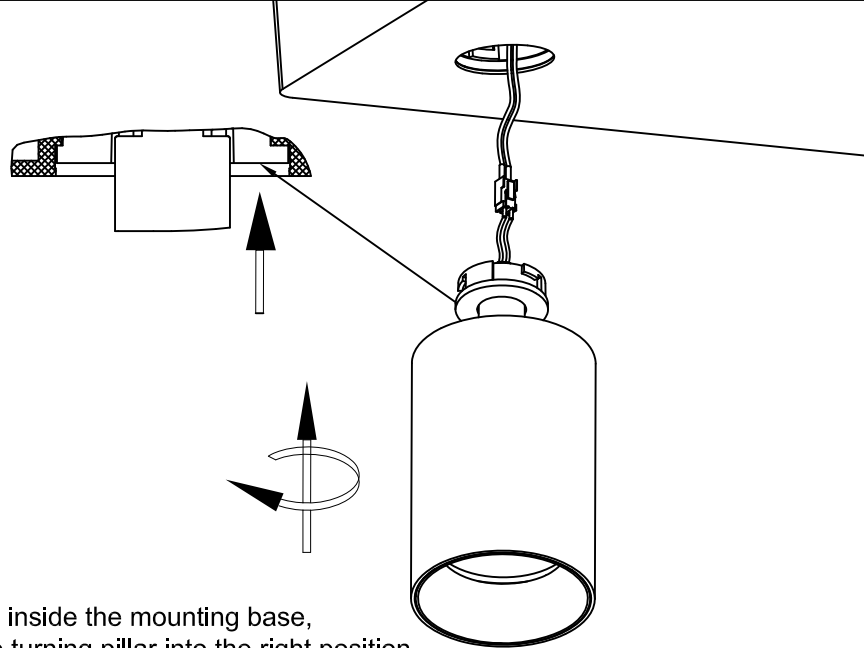
SAGITONY S60



① Connect the male and female plug.



②



Put the extra wire inside the mounting base, press strongly the turning pillar into the right position, rotate around 10 degrees(clockwise direction), install finished.

③ Finish.

